

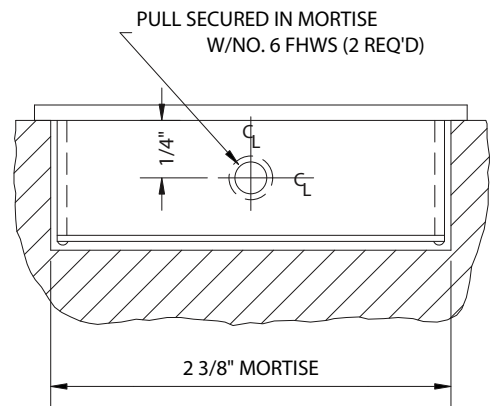
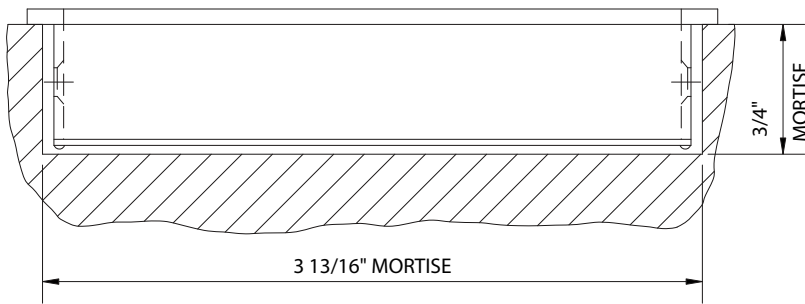
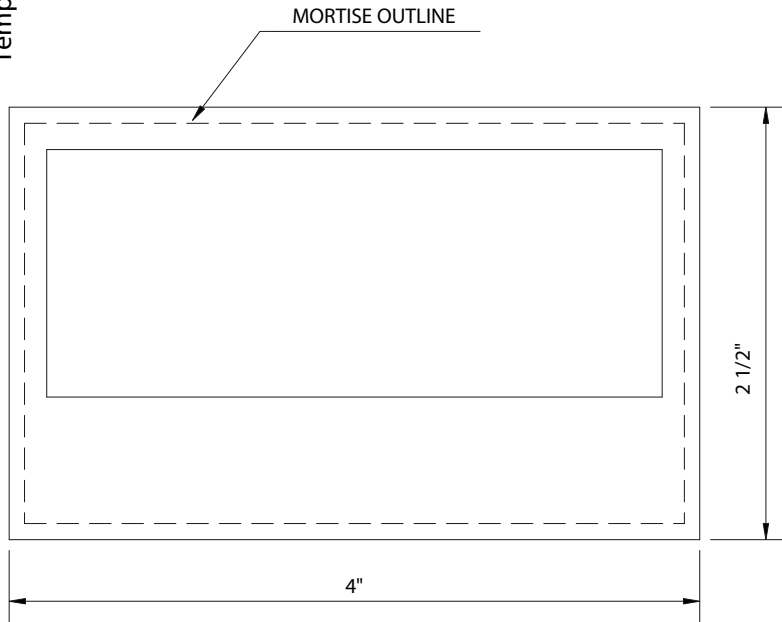
CUSTOMER _____ ACCOUNT # _____
 CUSTOMER P.O. # _____
 HAGER # _____

Template No. T-17N
 Rev. '02 (8-13-02)

Template No. T-17N

TEMPLATE
 FLUSH CUP PULL
 2 1/2" X 4"

HAGER RESERVES THE RIGHT TO MAKE
 PRODUCT CHANGES AND IS NOT RE-
 SONSIBLE FOR OBSOLETE TEMPLATE
 ERRORS. CALL 1-800-325-9995
 FOR CURRENT INFORMATION.



Template No. T-17N

MORTISE REQUIRED: 3 13/16" X 2 3/8" X 3/4" DEEP



Template No. T-17N

DO NOT SCALE

HAGER HINGE CO.
 139 Victor St.
 St. Louis, MO 63104